

# **Chapter 2**

## **Computer Evolution and Performance**

**William Stallings**  
**Computer Organization and Architecture**  
**6<sup>th</sup> Edition**

# ENIAC - background

---

- Electronic Numerical Integrator And Computer
- Eckert and Mauchly
- University of Pennsylvania
- Trajectory tables for weapons
- Started 1943
- Finished 1946
  - Too late for war effort
- Used until 1955

# ENIAC - details

---

- Decimal (not binary)
- 20 accumulators of 10 digits
- Programmed manually by switches
- 18,000 vacuum tubes
- 30 tons
- 15,000 square feet
- 140 kW power consumption
- 5,000 additions per second

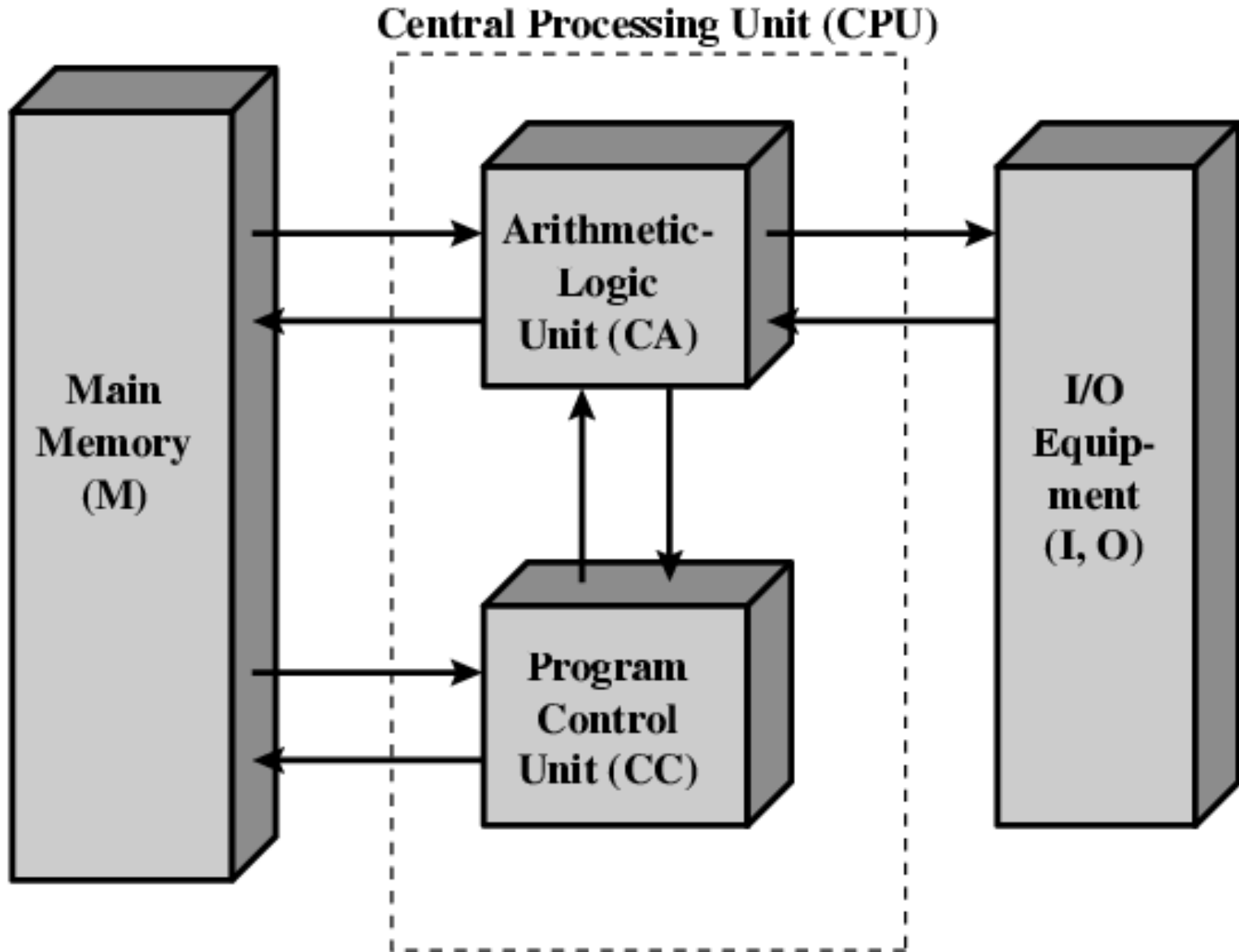
# von Neumann/Turing

---

- Stored Program concept
- Main memory storing programs and data
- ALU operating on binary data
- Control unit interpreting instructions from memory and executing
- Input and output equipment operated by control unit
- Princeton Institute for Advanced Studies
  - IAS
- Completed 1952

# Structure of von Neumann machine

---



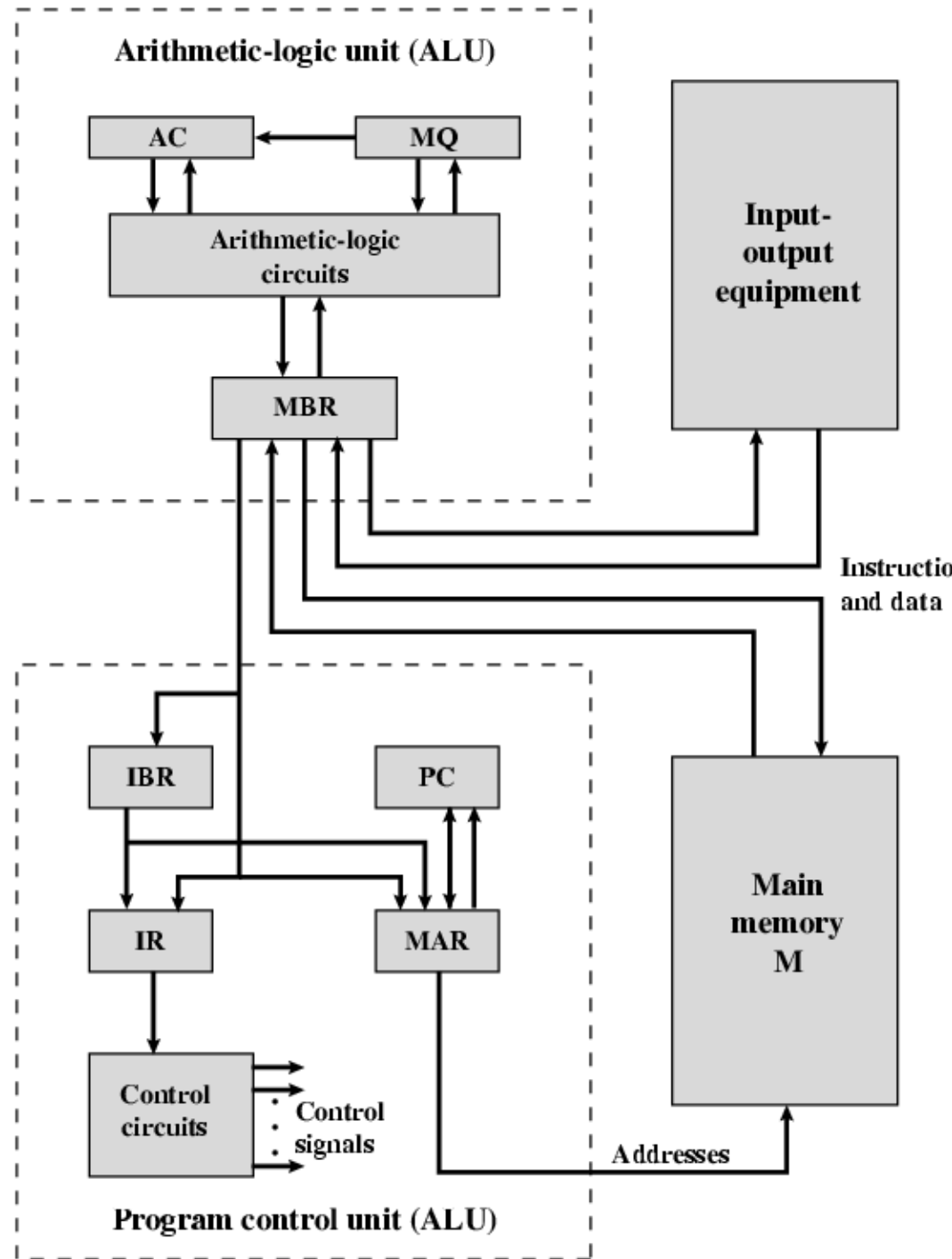
# IAS - details

---

- 1000 x 40 bit words
  - Binary number
  - 2 x 20 bit instructions
- Set of registers (storage in CPU)
  - Memory Buffer Register
  - Memory Address Register
  - Instruction Register
  - Instruction Buffer Register
  - Program Counter
  - Accumulator
  - Multiplier Quotient

# Structure of IAS – detail

---



# Commercial Computers

---

- 1947 - Eckert-Mauchly Computer Corporation
- UNIVAC I (Universal Automatic Computer)
- US Bureau of Census 1950 calculations
- Became part of Sperry-Rand Corporation
- Late 1950s - UNIVAC II
  - Faster
  - More memory



# IBM

---

- Punched-card processing equipment
- 1953 - the 701
  - IBM's first stored program computer
  - Scientific calculations
- 1955 - the 702
  - Business applications
- Lead to 700/7000 series

# Transistors

---

- Replaced vacuum tubes
- Smaller
- Cheaper
- Less heat dissipation
- Solid State device
- Made from Silicon (Sand)
- Invented 1947 at Bell Labs
- William Shockley et al.

# Transistor Based Computers

---

- Second generation machines
- NCR & RCA produced small transistor machines
- IBM 7000
- DEC - 1957
  - Produced PDP-1

# Microelectronics

---

- Literally - “small electronics”
- A computer is made up of gates, memory cells and interconnections
- These can be manufactured on a semiconductor
- e.g. silicon wafer

# Generations of Computer

---

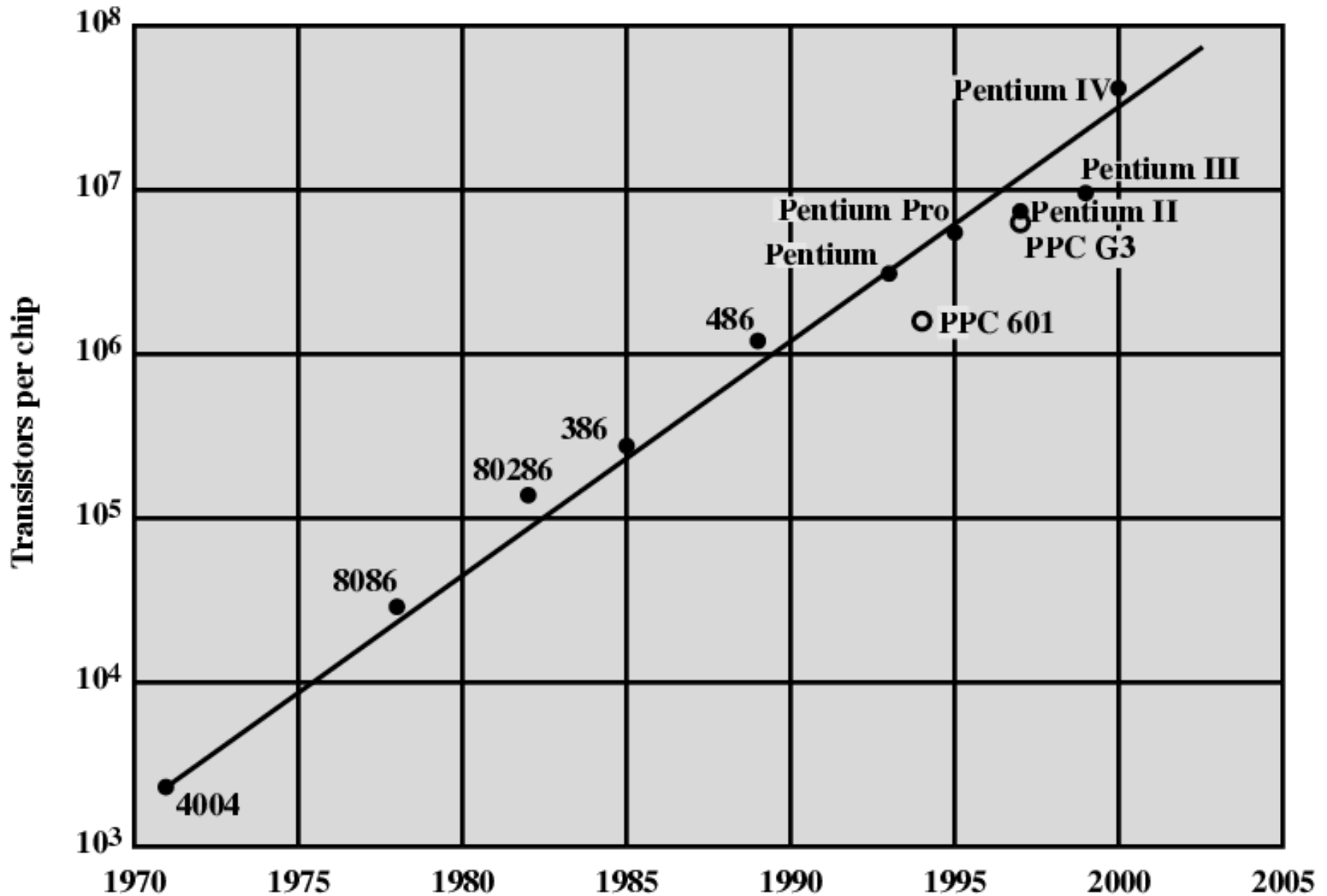
- Vacuum tube - 1946-1957
- Transistor - 1958-1964
- Small scale integration - 1965 on
  - Up to 100 devices on a chip
- Medium scale integration - to 1971
  - 100-3,000 devices on a chip
- Large scale integration - 1971-1977
  - 3,000 - 100,000 devices on a chip
- Very large scale integration - 1978 to date
  - 100,000 - 100,000,000 devices on a chip
- Ultra large scale integration
  - Over 100,000,000 devices on a chip

# Moore's Law

---

- Increased density of components on chip
- Gordon Moore - cofounder of Intel
- Number of transistors on a chip will double every year
- Since 1970's development has slowed a little
  - Number of transistors doubles every 18 months
- Cost of a chip has remained almost unchanged
- Higher packing density means shorter electrical paths, giving higher performance
- Smaller size gives increased flexibility
- Reduced power and cooling requirements
- Fewer interconnections increases reliability

# Growth in CPU Transistor Count



# IBM 360 series

---

- 1964
- Replaced (& not compatible with) 7000 series
- First planned “family” of computers
  - Similar or identical instruction sets
  - Similar or identical O/S
  - Increasing speed
  - Increasing number of I/O ports (i.e. more terminals)
  - Increased memory size
  - Increased cost
- Multiplexed switch structure



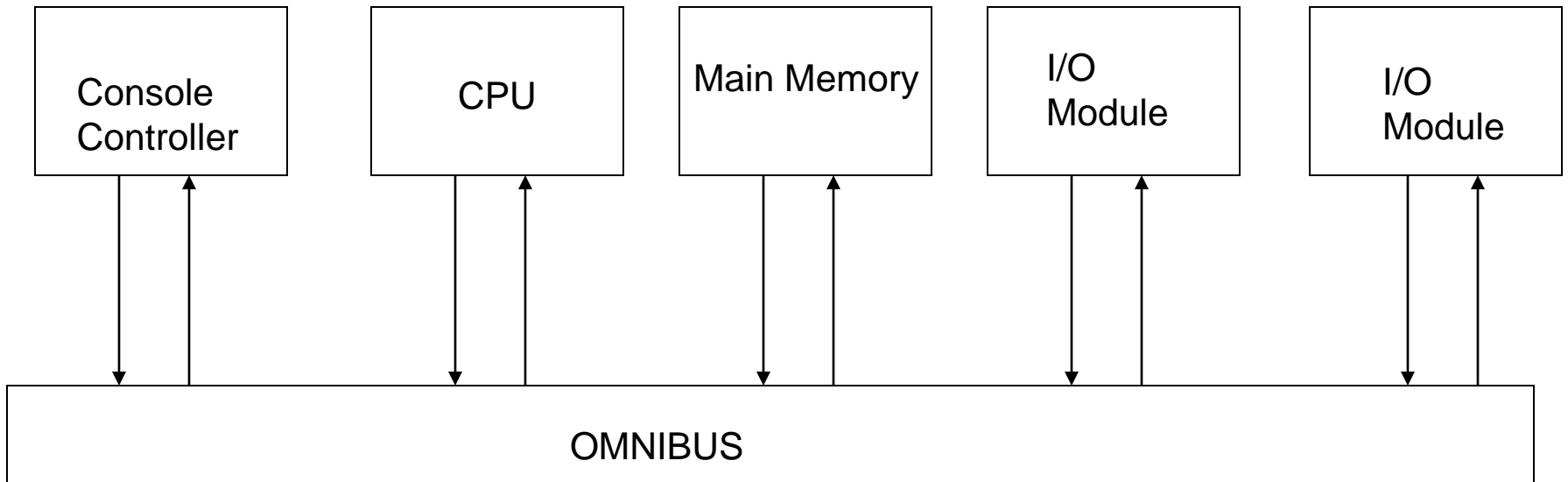
# DEC PDP-8

---

- 1964
- First minicomputer (after miniskirt!)
- Did not need air conditioned room
- Small enough to sit on a lab bench
- \$16,000
  - \$100k+ for IBM 360
- Embedded applications & OEM
- BUS STRUCTURE

# DEC - PDP-8 Bus Structure

---



# Semiconductor Memory

---

- 1970
- Fairchild
- Size of a single core
  - i.e. 1 bit of magnetic core storage
- Holds 256 bits
- Non-destructive read
- Much faster than core
- Capacity approximately doubles each year

# Intel

---

- 1971 - 4004
  - First microprocessor
  - All CPU components on a single chip
  - 4 bit
- Followed in 1972 by 8008
  - 8 bit
  - Both designed for specific applications
- 1974 - 8080
  - Intel's first general purpose microprocessor

# Speeding it up

---

- Pipelining
- On board cache
- On board L1 & L2 cache
- Branch prediction
- Data flow analysis
- Speculative execution

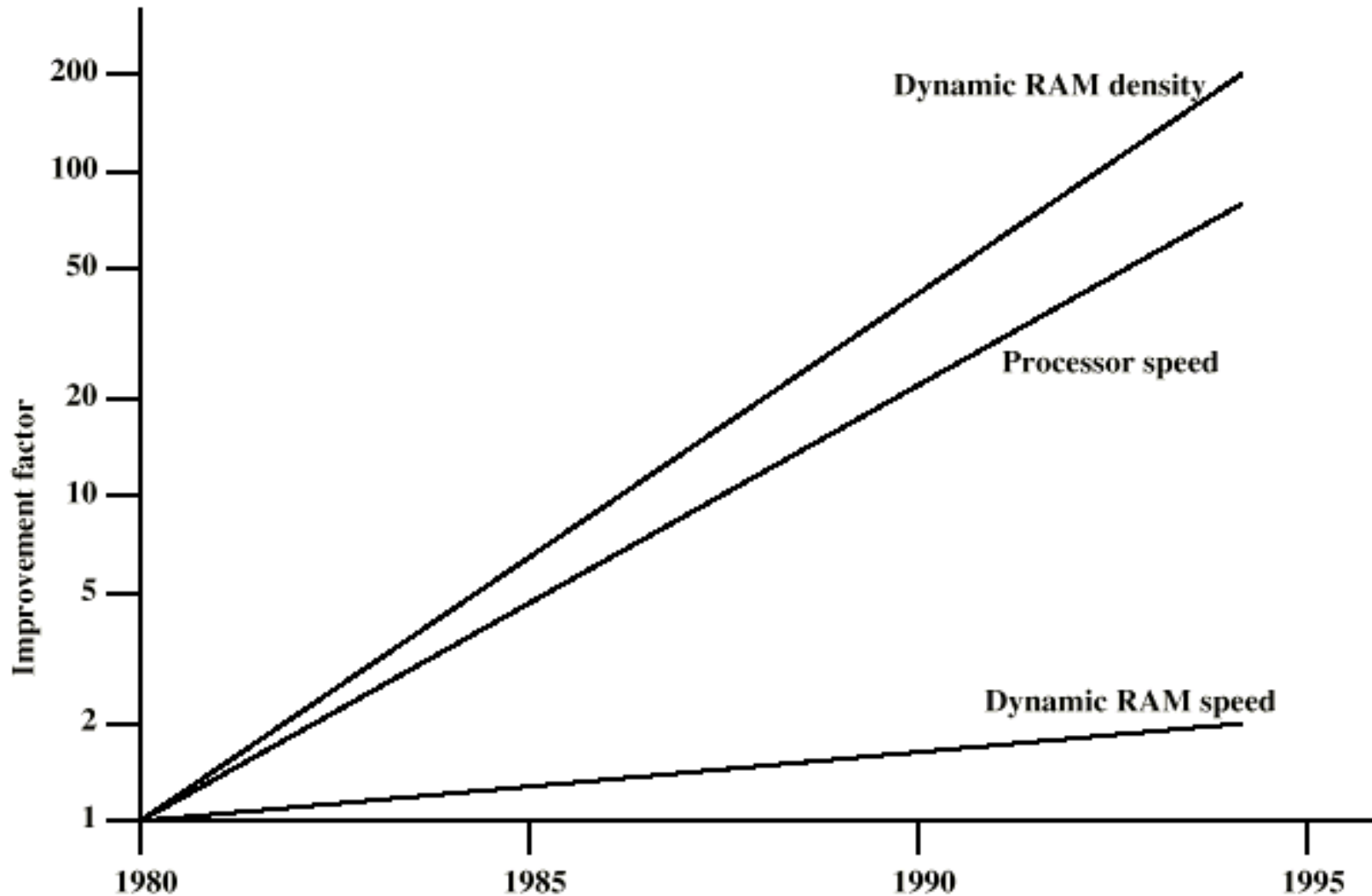
# Performance Mismatch

---

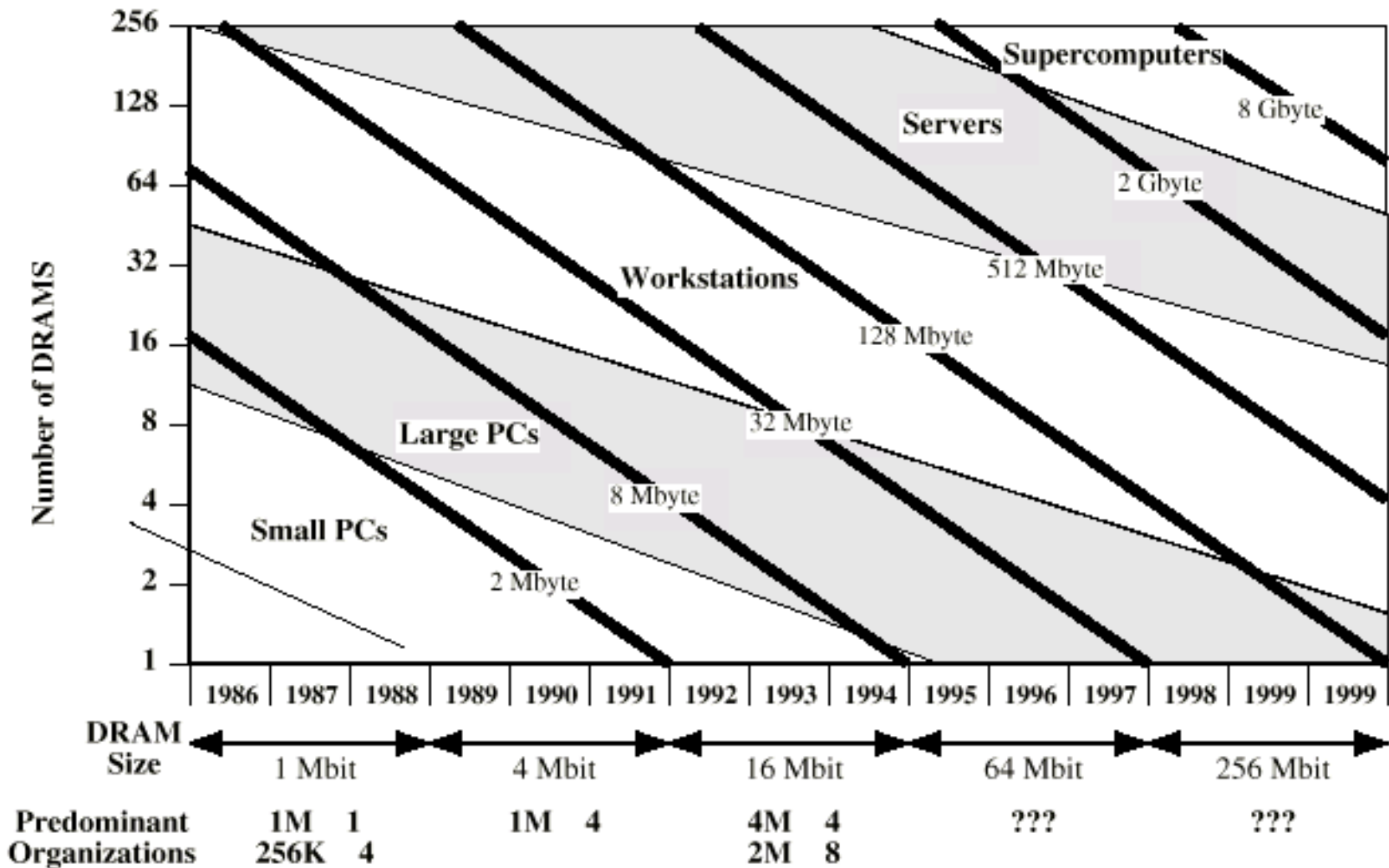
- Processor speed increased
- Memory capacity increased
- Memory speed lags behind processor speed

# DRAM and Processor Characteristics

---



# Trends in DRAM use





# Solutions

---

- Increase number of bits retrieved at one time
  - Make DRAM “wider” rather than “deeper”
- Change DRAM interface
  - Cache
- Reduce frequency of memory access
  - More complex cache and cache on chip
- Increase interconnection bandwidth
  - High speed buses
  - Hierarchy of buses

# Pentium Evolution (1)

---

- 8080
  - first general purpose microprocessor
  - 8 bit data path
  - Used in first personal computer – Altair
- 8086
  - much more powerful
  - 16 bit
  - instruction cache, prefetch few instructions
  - 8088 (8 bit external bus) used in first IBM PC
- 80286
  - 16 Mbyte memory addressable
  - up from 1Mb
- 80386
  - 32 bit
  - Support for multitasking

# Pentium Evolution (2)

---

- 80486
  - sophisticated powerful cache and instruction pipelining
  - built in maths co-processor
- Pentium
  - Superscalar
  - Multiple instructions executed in parallel
- Pentium Pro
  - Increased superscalar organization
  - Aggressive register renaming
  - branch prediction
  - data flow analysis
  - speculative execution

# Pentium Evolution (3)

---

- Pentium II
  - MMX technology
  - graphics, video & audio processing
- Pentium III
  - Additional floating point instructions for 3D graphics
- Pentium 4
  - Note Arabic rather than Roman numerals
  - Further floating point and multimedia enhancements
- Itanium
  - 64 bit
  - see chapter 15
- See Intel web pages for detailed information on processors

# Internet Resources

---

- <http://www.intel.com/>
  - Search for the Intel Museum
- <http://www.ibm.com>
- <http://www.dec.com>
- Charles Babbage Institute
- PowerPC
- Intel Developer Home